

tabi™

installation instructions tabi shield

safety requirements

Tipping Hazard

If handled incorrectly the installation could be tipped over.

Crush Hazard

Panels are heavy. Falling or dropping panels can cause serious injury. Follow all safety instructions.

Safety Instructions

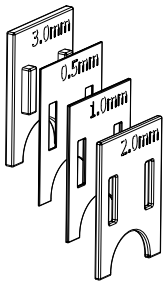
CAUTION: Contains small parts.

Read all assembly directions on installation guide before beginning installation.

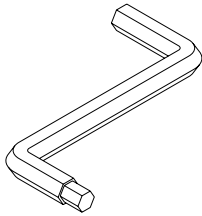
Use all panel clamps for the required panel positions and sizes.

materials

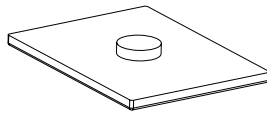
Note: Parts are not drawn to scale.



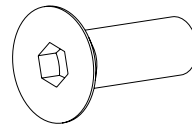
Inlay spacers



Allen wrench



Bottom cover



Panel clamp screw

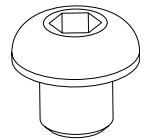
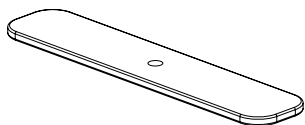


Table clamp screw



Hole cover



Clamp base

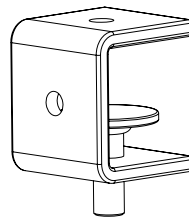
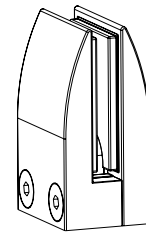


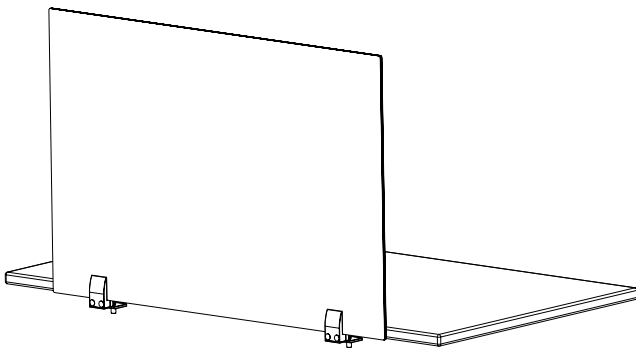
Table clamp / cap cover



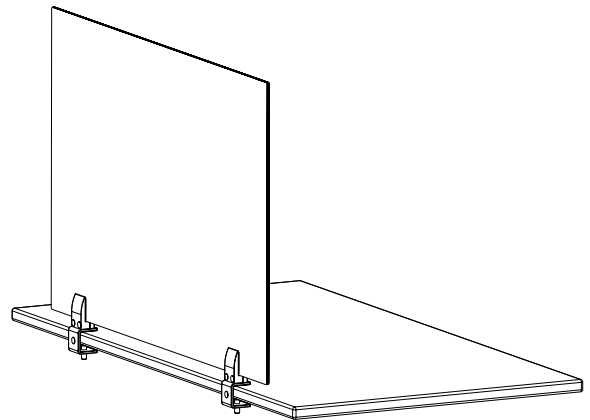
Panel clamp

product configurations

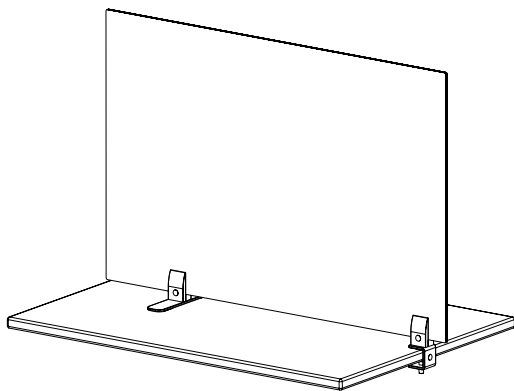
setup a - pg 5



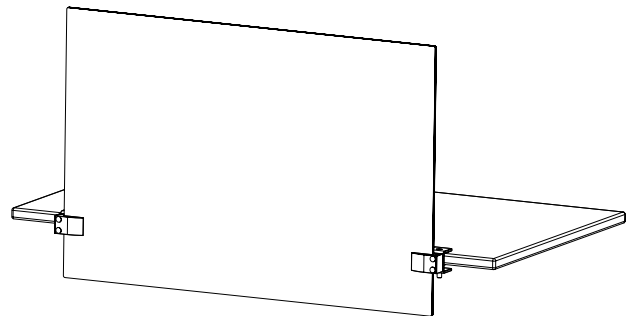
setup b - pg 6



setup c - pg 7



setup d - pg 8



installation information

Maximum tabletop thickness = 1.25" or 34 mm
Minimum tabletop thickness = 0.25" or 6 mm

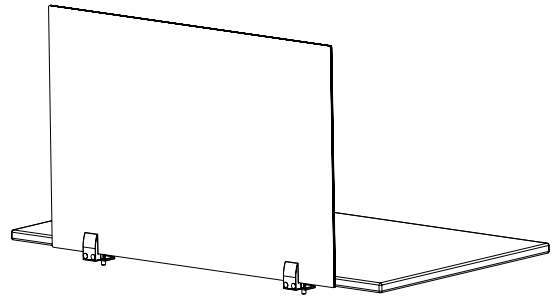
Note: Clamps include inlays required for shield panels.
Additional inlays provided should clamps be used for alternative panels.

Size HxW	No. of Mounts	Recommended Standard Setup
18" x 24"	2	17.5"
18" x 36"	2	25.5"
18" x 48"	3	19.5"
18" x 60"	4	17.5"
18" x 72"	4	21.5"

Size HxW	No. of Mounts	Recommended Standard Setup
24" x 24"	2	17.5"
24" x 36"	2	25.5"
24" x 48"	3	19.5"
24" x 60"	4	17.5"
24" x 72"	4	21.5"

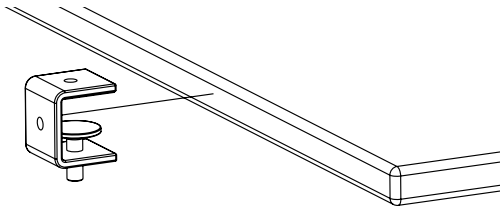
Panel Thickness	Inlay Setup
10 mm - 9 mm	3.0 mm
9 mm - 8 mm	3.0 mm + 0.5mm
8 mm - 7 mm	3.0 mm + 1.0 mm
7 mm - 6mm	3.0 mm + 1.0 mm + 0.5 mm
6 mm - 5 mm	3.0 mm + 2.0 mm
5 mm - 4 mm	3.0 mm + 2.0 mm + 0.5 mm
4 mm - 3 mm	3.0 mm + 2.0 mm + 1.0 mm

setup a



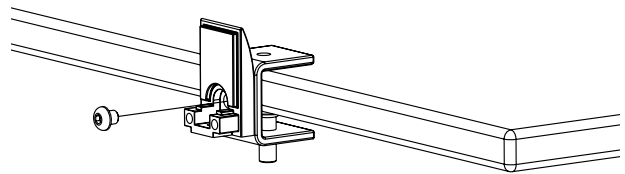
Step 1

Turn the clamp screw to be tight with the table surface.



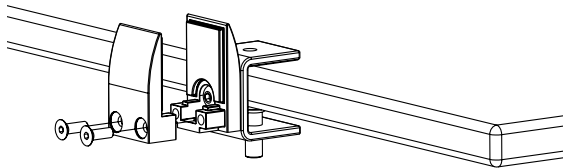
Step 2

Attach first part of clamp to mount.



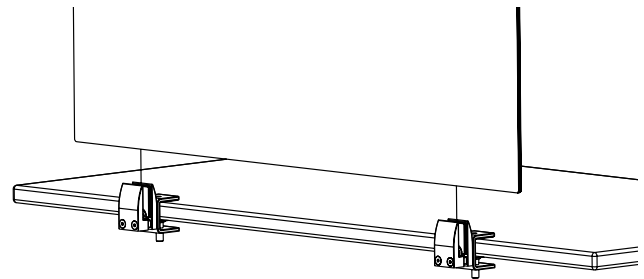
Step 3

Do not tighten fully to support for easier next step.



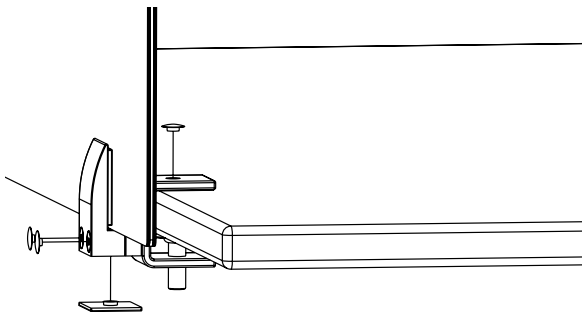
Step 4

Insert panel. Hand tighten screw with allen wrench until it will go no further.

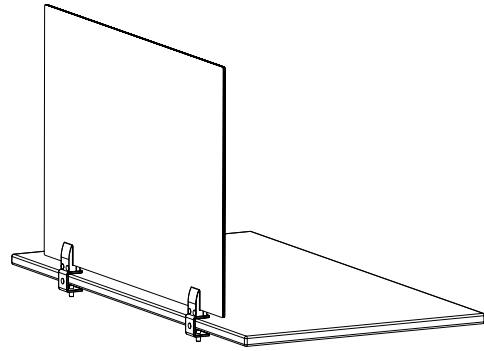


Step 5

Install hole covers.

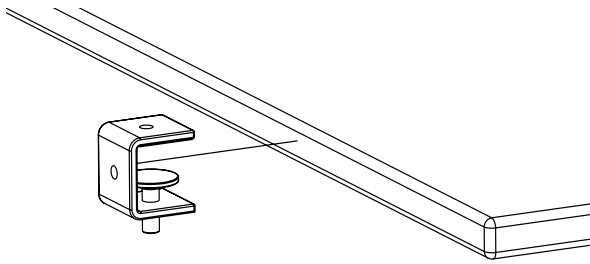


setup b



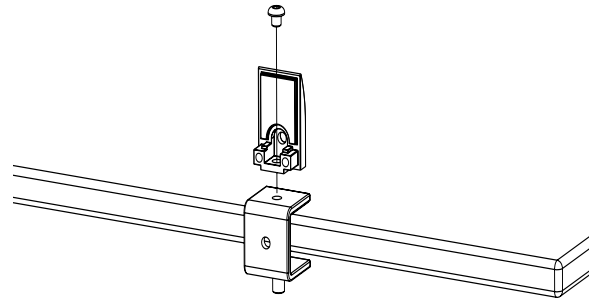
Step 1

Turn the clamp screw to be tight with the table surface.



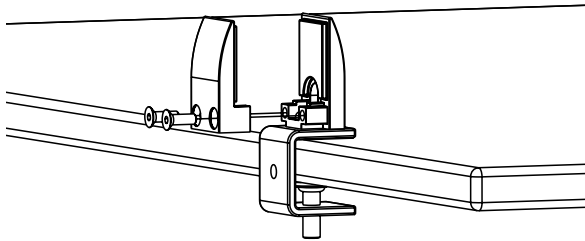
Step 2

Attach first part of clamp to mount.



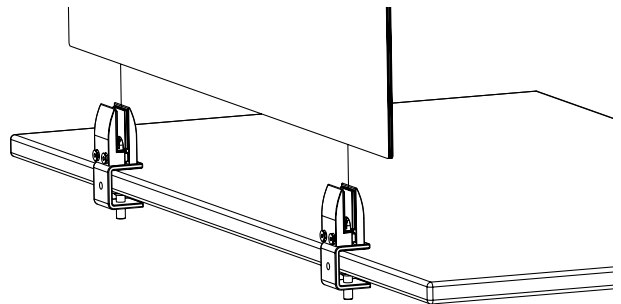
Step 3

Do not tighten fully to support for easier next step.



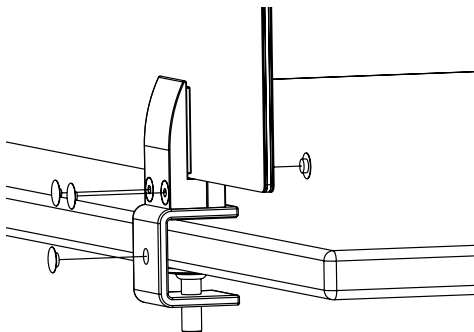
Step 4

Insert panel. Hand tighten screw with allen wrench until it will go no further.

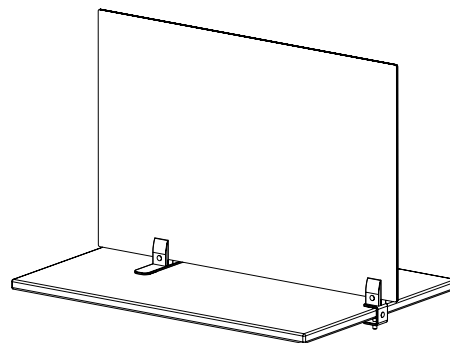


Step 5

Attach hole covers.

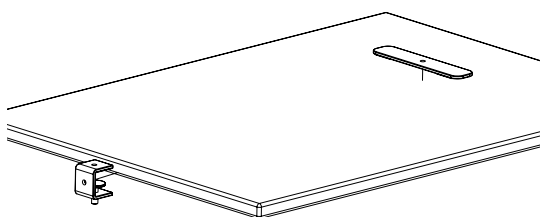


setup c



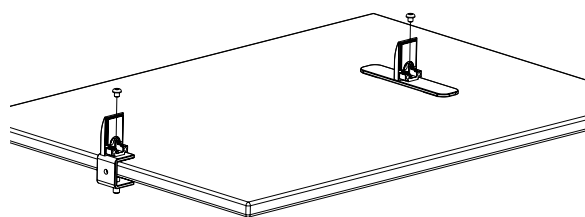
Step 1

Turn the clamp screw to be tight with the table surface.
Identify anti slip pads to be face down.



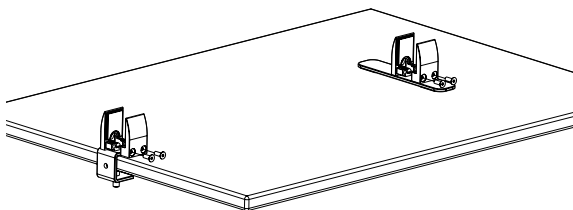
Step 2

Attach first part of clamp to both mounts.



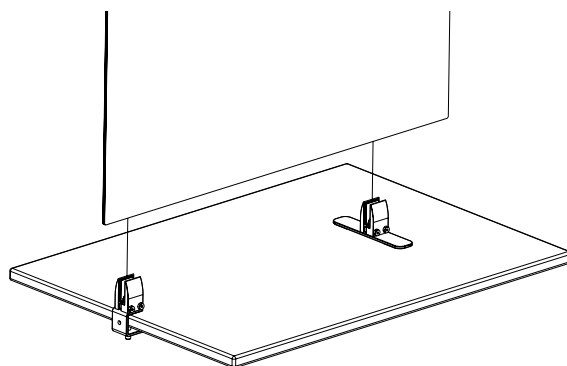
Step 3

Do not tighten fully to support for easier next step.



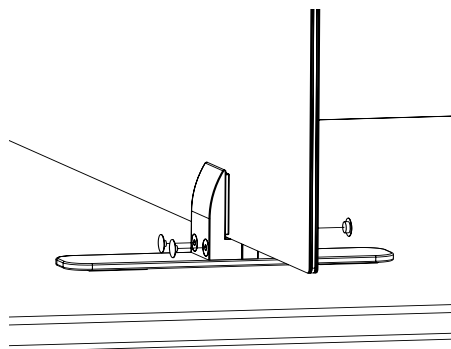
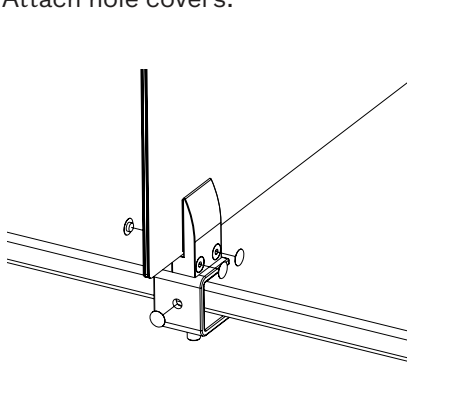
Step 4

Insert Panel. Hand tighten screw with allen wrench until it will go no further.

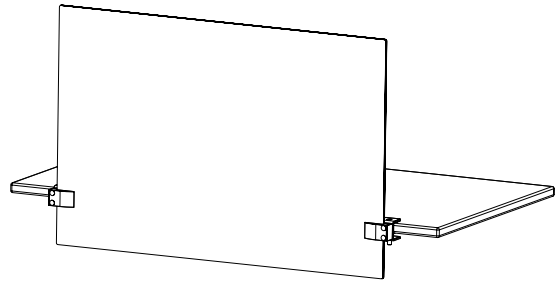


Step 5

Attach hole covers.

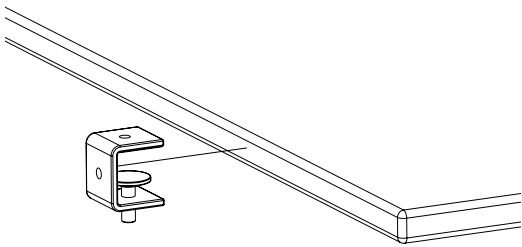


setup d



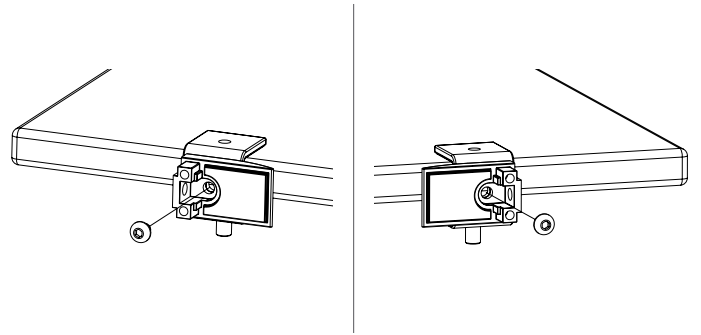
Step 1

Turn the clamp screw to be tight with the table surface. Identify anti slip pads to be face down.



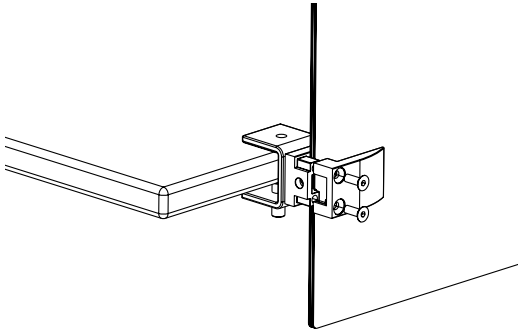
Step 2

Direction of clamp should be positioned to grip the panel on left and right sides.



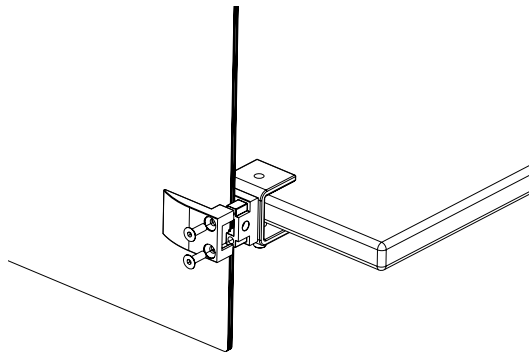
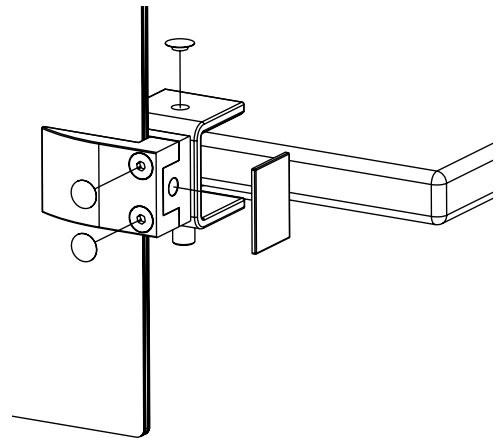
Step 3

Insert panel. Hand tighten screw with allen wrench until it will go no further.



Step 4

Hand tighten screw with allen wrench until it will go no further (right clamp).



Step 5

Attach hole covers.

1 888 325 6351
info@tabiforteams.com
tabiforteams.com

©2020 PolyVision Corporation. All rights reserved. Trademarks used herein are the trademarks of PolyVision Corporation or their respective owner. PolyVision Corporation reserves the right to make changes in product design, construction or detail, and to discontinue any product or material without notice. Tabi products are manufactured by PolyVision Corporation.
