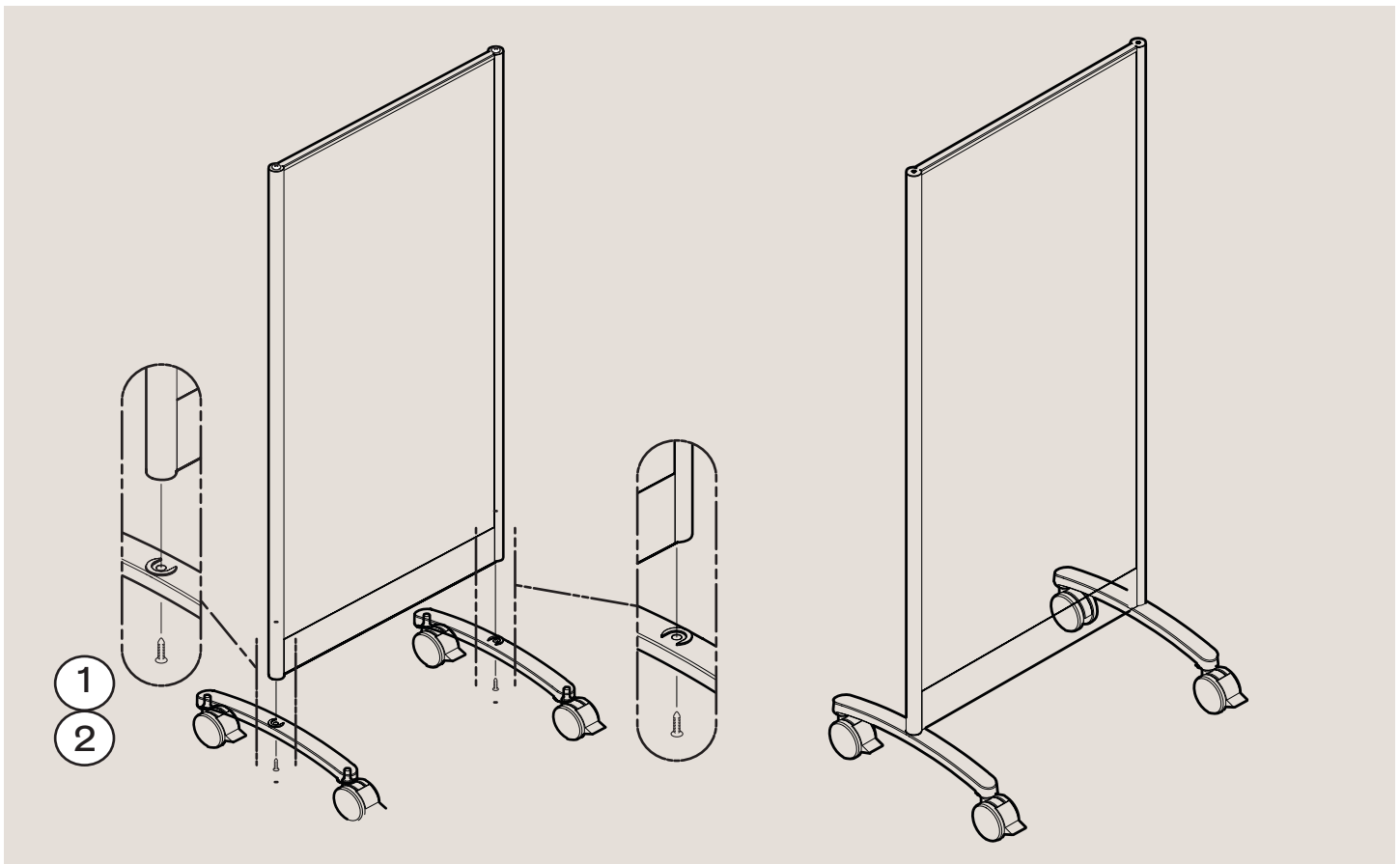


# tabi™

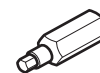
## assembly instructions tabi drift

Doc # 100124 | Rev A | Page 1 of 1

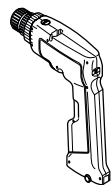
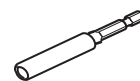


1. Remove the pan head Phillips screw from the bottom of one of the vertical extrusions and discard. **Note:** Remove and assemble each foot completely before removing the screw on the other side.
2. Mount a leg to each side of the stand assembly using the hex drive 1-1/2" long screw provided. Screws must be tightened to a minimum of 15 ft-lbs of torque and a maximum of 20 ft-lbs of torque. Notice the orientation of the half moon shaped emboss on the top of the leg.

### Tools Needed:



hex drive



For questions call your local customer service representative at 1 888 325 6351 or email us at [info@tabiforteam.com](mailto:info@tabiforteam.com)