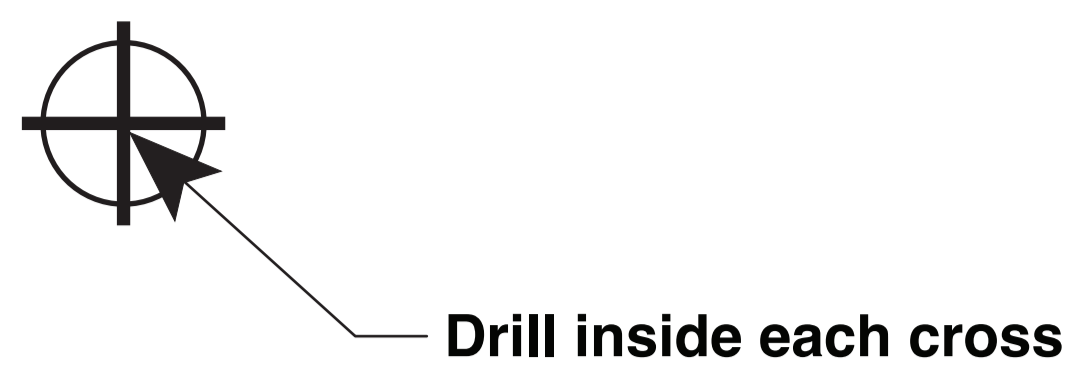


45.25"



Drill inside each cross

Drill inside each cross

Panel edge Panel corner



Drill inside each cross

Gap between panels

**WARNING**

**CRUSH HAZARD**  
Panels are heavy. Falling or dropped panels can cause serious injury. Follow all safety instructions.

**SAFETY INSTRUCTIONS**

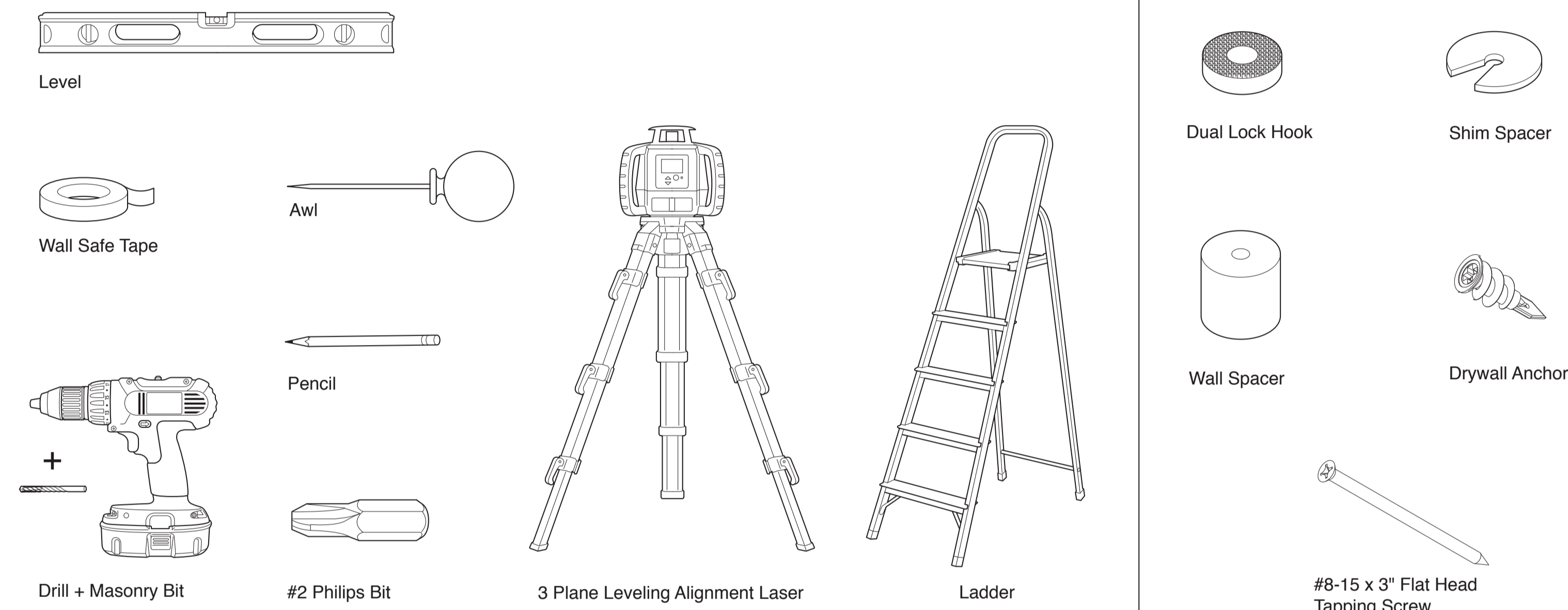
- Only install with trained professionals.
- Use at least 2 people to lift, install or remove panels.
- Read all assembly directions on installation template before beginning installation.
- Wear safety boots with protection for toes and top of foot (metatarsal protection).
- Panels and mounting hardware for use on drywall only.
- Use ALL mounting dots and in required positions per assembly directions.
- Contact info@tabiforwalls.com for more information if you have questions.

**NOTICE**

Building owner or designated agent is responsible to verify the installation is compliant to local codes and regulations. Manufacturer is not liable for installation on surfaces other than drywall.

## Assembly Directions

### 00 Tooling. The following tools will be needed during the installation of the work wall.



### 01 Drilling templates. The drilling templates function as a mock-up of the panels. Please hang the drilling templates level and in the right position since they are an exact replication of each panel and gap. The drilling templates will provide you with complete references for the further installation.

**A Position drilling templates.** Tape the paper drilling templates of the panels to the wall (A).

**B Mark holes.** Using an awl (or similar sharp object), poke a hole through the template and into the wall surface to clearly mark each location. When all mounting locations are marked clearly, remove templates from the wall.

**C Assemble.** Drive drywall anchor at each location marked in the previous step (C1). Assemble mounting hardware by screwing in one spacer (C2), one dual lock hook (C3) and one screw (C4) to each drywall anchor.

Drill inside each cross

Drill inside each cross

Drill inside each cross

### 02 Leveling of dual lock hooks. It is essential for the aesthetics of the complete installation that all dual lock hooks are leveled in the same Z-Plane. Find the most protruding point of the wall to start from.

**A Set up laser level.** Project a laser plane parallel to the wall surface and as close to the wall as possible (A1). Using a tape measure or similar measuring tool, determine which dual lock hook location protrudes from the wall surface the most. Make a mark on the wall to indicate which location protrudes the most.  
**Note:** It is important to make sure the laser plane is as parallel to the wall as possible!

**B Level the dual lock hooks.** A wall spacer must be behind each dual lock location, and only one wall spacer is provided per dual lock location. Measure the offset from each dual lock hook location to the laser level plane (B1). If the offset is larger than the dual lock hook location marked in the previous step, loosen the screw (B2) and insert the appropriate number of provided shim spacers to match the offset of the most protruding location (B3).

### 03 Mount the panel. The panel should be positioned as accurate as possible.

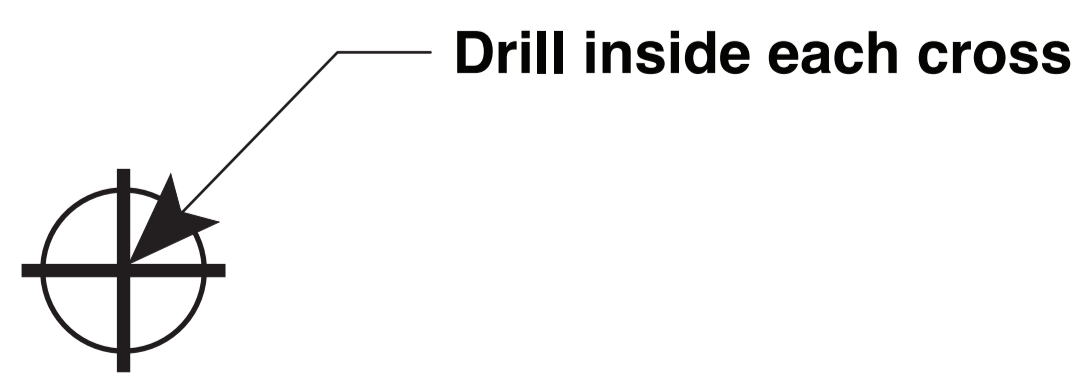
**A Add marks.** Add references to the panel and the wall to align the center of the dual lock hook and the panel (A1).

**B Position and level the panel.** When the panel is level (B1) and in the proper position, a light strike with the side of a hand will pop the panel in place (B2). This light strike should be repeated at each dual lock hook location as marked on each panel.  
**WARNING:** Panels are heavy and if dropped can cause serious injury. Follow safety instructions at the top of template. Use at least two people to lift and install panels. One person must hold the panel and level while a second person seats each dual lock hook location as marked on each panel.

**C Need to make adjustments?** If a panel is not positioned properly, it is possible to remove the panel and try again. Grasp the edge of the panel with both hands adjacent to each dual lock hook location (starting in the correct) and give it a sharp tug away from the wall (C1). After one dual lock hook has been popped loose, move on to the next one until the panel is free. Dual lock hooks can be connected and disconnected several times if required.

45.25"

45.25"



Drill inside each cross

45.25"

Drill inside each cross

If you have problem, question, or request, call your local dealer, or Tabi Support at:  
1 888 325 6351 or 1 678 542 3078  
Mon - Fri: 8:00 AM - 5:00 PM  
info@tabiforwalls.com  
Or visit our website: tabiforwalls.com

tabi™

Drill inside each cross

